

Mount VDI40

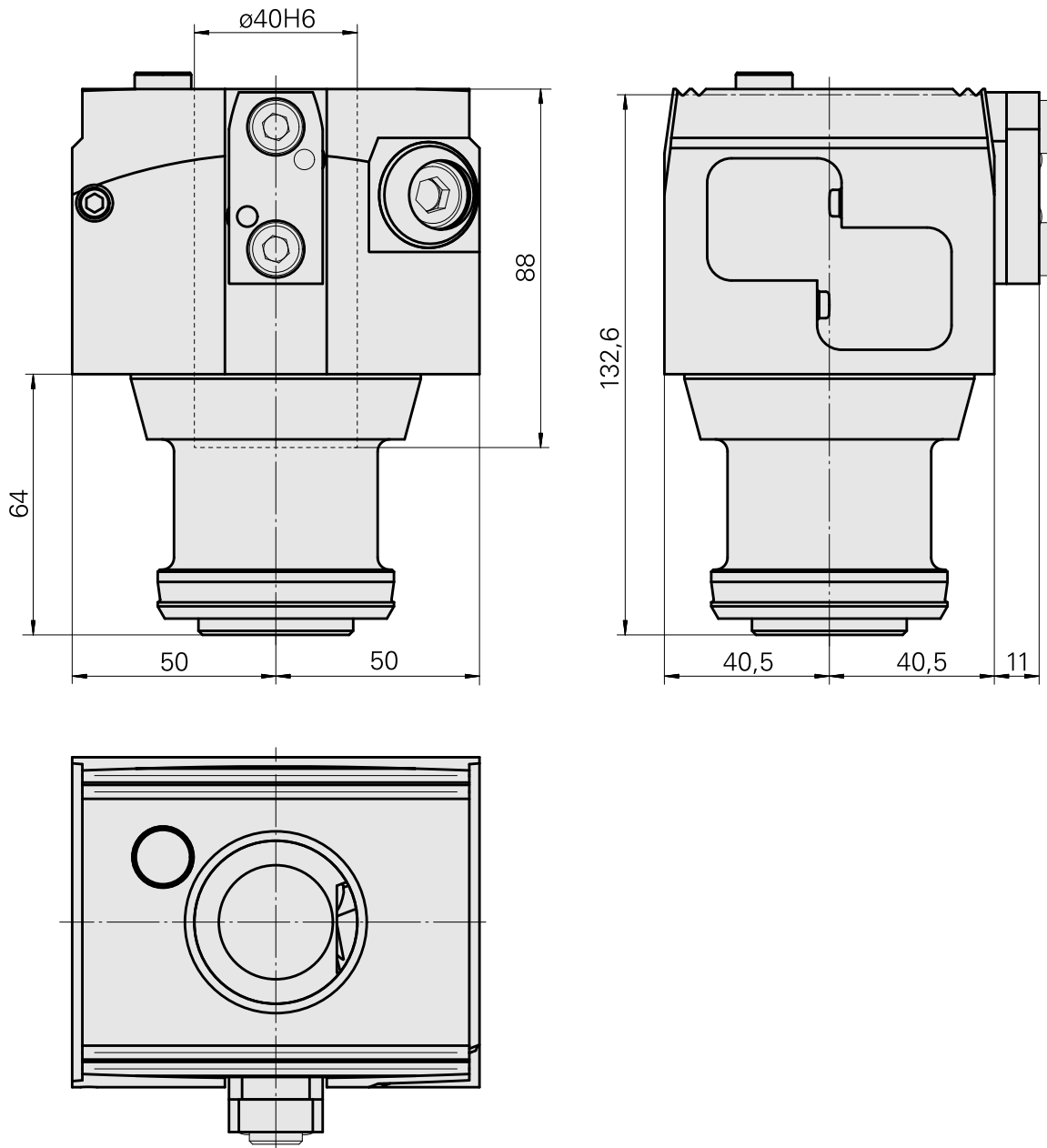
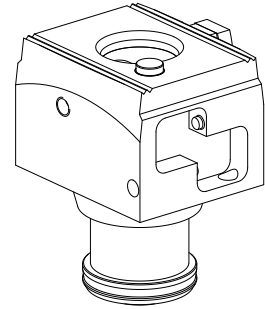
Technical data

TH accessories category

Adapter pre-adjustment block

Tool mounting

VDI 40



Documents

No downloads available for this product