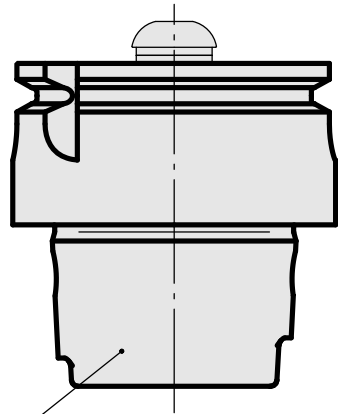
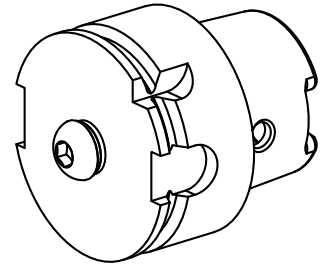


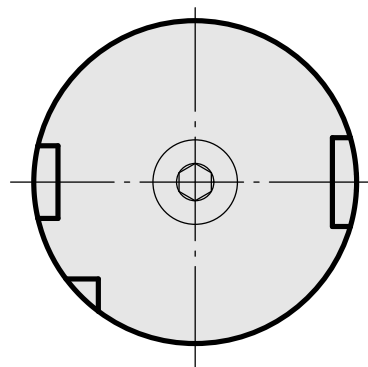
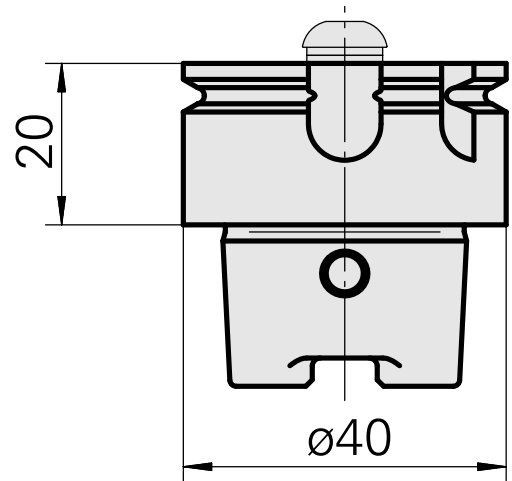
## Calibrating tool HSK 40 A, for measuring the clamping stroke

### Technical data

Shank HSK	HSK 40
Form HSK	A
X [mm]	20 (0.79")
INDEX TRAUB products	G200.2 • G220 • R200 • G220.3 • TNX220.3



DIN 69893  
HSK 40 A



---

## Documents

No downloads available for this product

## Accessories

Required for operation

### [Socket wrench](#)

Product ID : 10532354

Previous product ID : WS7400.0010

TH accessories  
category  
Tool for KSS adapter

Mounting  
HSK 40 A/C

Optional accessories

### **Tool holder accessories**

### [Coolant adapter kit](#)

Product ID : 10581780

Previous product ID : WS7400.0020

TH accessories  
category  
Cooling lubricant  
transfer set

Mounting  
HSK 40 A/C