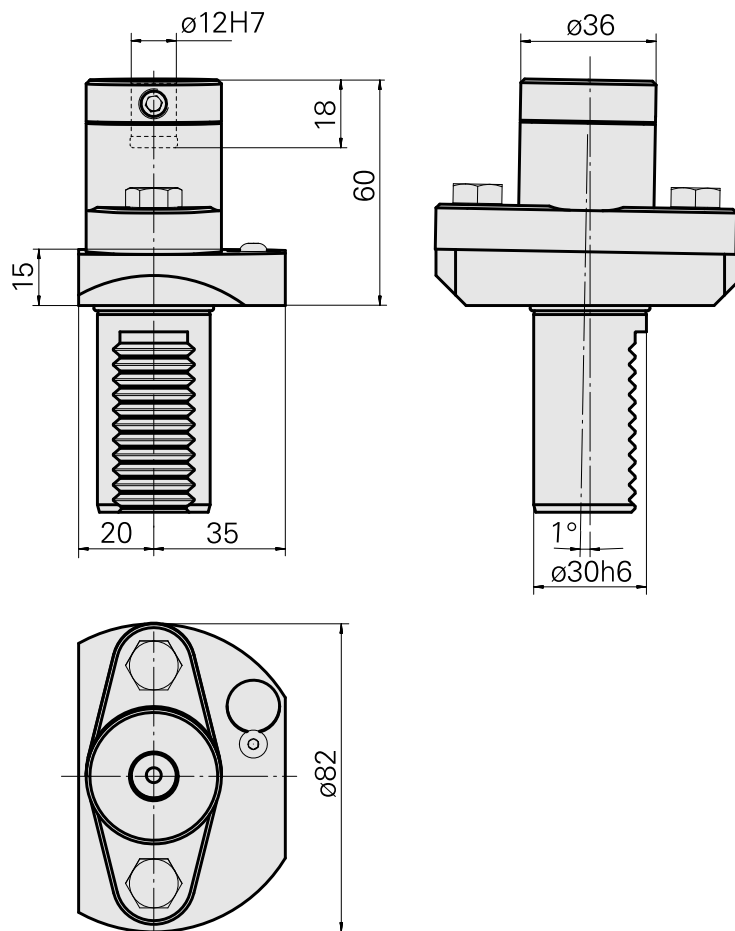
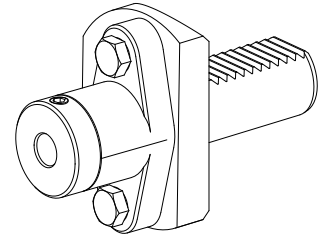


## Broachholder VDI 30 D12, rotating, live

### Technical data

Shank VDI	VDI 30
Drive	not live
Fixation VDI	none
Cooling	external
Pressure	20 bar
Mounting	D12
reversible 180°	no
Data carrier	check tool station bore
X [mm]	60 (2.36")
Y [mm]	-
Z [mm]	-
INDEX TRAUB products	V100 • V200 • V160C • V160G • V300 • TNA300



---

## Documents

### Product notes

[DE \(pdf\)](#)

[EN \(pdf\)](#)

[FR \(pdf\)](#)

## Accessories

### Optional accessories

#### Tool holder accessories

[tube, M6x48,45°](#)

Product ID : 10683174

Previous product ID : W63501.2622

TH accessories  
category  
Cooling lubricant tube

Mounting  
M6

#### Other accessories

[SPRAY NOZZLE 14D/M6](#)

Product ID : 10358770

Previous product ID : 474550.0121

---

[Lens head screw](#)

Product ID : 10344546

Previous product ID : 410243.0406

---

[Slotting tool for hexagon socket](#)

Product ID : 10155732

Previous product ID : W37606.-----

---

[Mandrel](#)

Product ID : 10727998

Previous product ID : W37604.-----

---

10929722  
W1300034

**INDEX**

---

Mandrel

Product ID : 12164626  
Previous product ID :

---