

## Clamping nut

### Technical data

TH accessories category

Clamping nut

Mounting

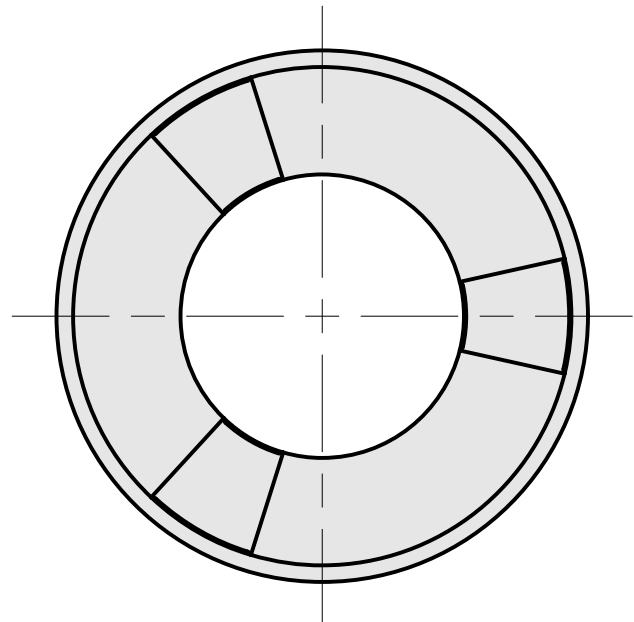
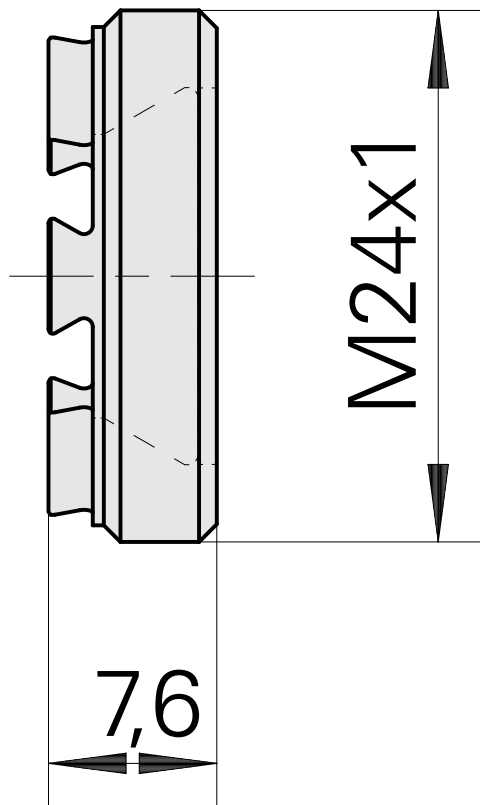
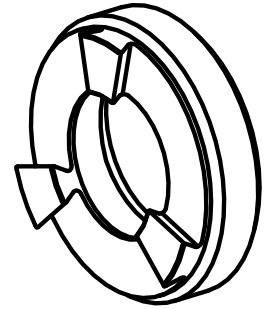
ER16

Collet type

ER 16

Clamping nut type

Male thread



10911008  
901939.5161

**INDEX**

---

## **Documents**

No downloads available for this product