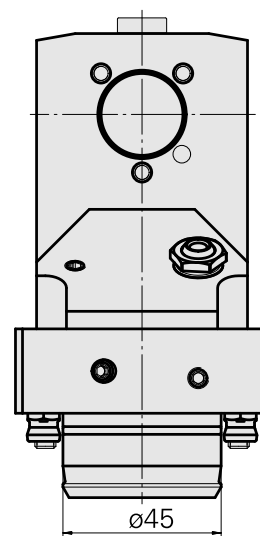
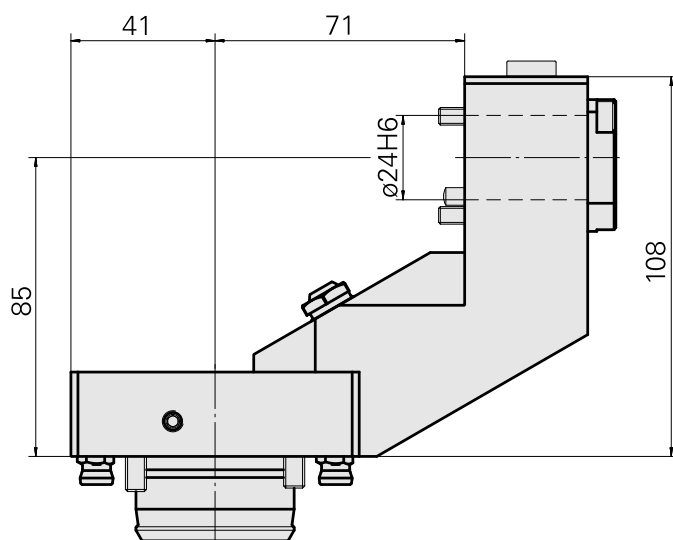
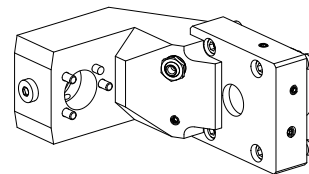


## Supporto di base KPS 45 D24

### Technical data

<b>Gambo KPS</b>	KPS 45
<b>Azionamento</b>	non azionato
<b>Raffreddamento</b>	esterno e interno
<b>Attacco</b>	D24
<b>Pressione</b>	80 bar, opzio. Interna 120 bar
<b>X [mm]</b>	85
<b>Y [mm]</b>	-
<b>Z [mm]</b>	-71
<b>Prodotti INDEX TRAUB</b>	TNL18 • TNL20 • TNL32-11 • TNL32 • TNL32-11 compact • TNL20-11 • TNL32 compact • TNK40.2-10 • TNL20.2 • TNK40.2



## Documents

No downloads available for this product

## Accessories

### Optional accessories

#### Tool holders with compact shank

##### [Attacco D12](#)

Product ID : 10069528

Previous product ID : W9990530

Drive not live	Cooling internal	Mounting D12	Pressure 80 bar
X [mm] 36 (1.42")	Y [mm] -	Z [mm] -	INDEX TRAUB products ABC65 • TNK42/65 • TNL18 • TNL20 • TNL32-11 • TNL32 • TNL32-11 compact • TNL20-11 • TNL32 compact • TNK40.2-10 • TNL20.2 • TNK40.2

##### [Attacco D16](#)

Product ID : 10506517

Previous product ID : W9990105

Drive not live	Cooling internal	Mounting D16	Pressure 80 bar
X [mm] 36 (1.42")	Y [mm] -	Z [mm] -	INDEX TRAUB products ABC65 • TNK42/65 • TNL18 • TNL20 • TNL32-11 • TNL32 • TNL32-11 compact • TNL20-11 • TNL32 compact • TNK40.2-10 • TNL20.2 • TNK40.2

### Attacco D20

Product ID : 10401858

Previous product ID : W9990506

Drive not live	Cooling internal	Mounting D20	Pressure 80 bar
X [mm] 40 (1.57")	Y [mm] -	Z [mm] -	INDEX TRAUB products ABC65 • TNK42/65 • TNL18 • TNL20 • TNL32-11 • TNL32 • TNL32-11 compact • TNL20-11 • TNL32 compact • TNK40.2-10 • TNL20.2 • TNK40.2

### Attacco ER16

Product ID : 10355081

Previous product ID : W9990346

Drive not live	Cooling internal	Mounting ER16	Pressure 80 bar
X [mm] 54 (2.13")	Y [mm] -	Z [mm] -	INDEX TRAUB products ABC65 • TNK42/65 • TNL18 • TNL20 • TNL32-11 • TNL32 • TNL32-11 compact • TNL20-11 • TNL32 compact • TNK40.2-10 • TNL20.2 • TNK40.2

### Attacco WFB 20-12

Product ID : 11070391

Previous product ID : W9990106

Drive not live	Cooling internal	Mounting WFB 20-12	Pressure 80 bar
X [mm] 19 (0.75")	Y [mm] -	Z [mm] -	INDEX TRAUB products ABC65 • TNK42/65 • TNL18 • TNL20 • TNL32-11 • TNL32 • TNL32-11 compact • TNL20-11 • TNL32 compact • TNK40.2-10 • TNL20.2 • TNK40.2

### Mount D25 (0.98 ")

Product ID : 10734045

Previous product ID : W9991047

Drive not live	Cooling internal	Mounting D25	Pressure 80 bar
X [mm] 52 (2.05")	Y [mm] -	Z [mm] -	INDEX TRAUB products ABC65 • TNK42/65 • TNL18 • TNL20 • TNL32-11 • TNL32 • TNL32-11 compact • TNL20-11 • TNL32 compact • TNK40.2-10 • TNL20.2 • TNK40.2

### Mount ER20

Product ID : 11056269

Previous product ID : W9990541

Drive not live	Cooling internal	Mounting ER20	Pressure 80 bar
X [mm] 54 (2.13")	Y [mm] -	Z [mm] -	INDEX TRAUB products ABC65 • TNK42/65 • TNL18 • TNL20 • TNL32-11 • TNL32 • TNL32-11 compact • TNL20-11 • TNL32 compact • TNK40.2-10 • TNL20.2 • TNK40.2

### Mount ER25

Product ID : 10195583

Previous product ID : W9990562

Drive not live	Cooling internal	Mounting ER25	Pressure 80 bar
X [mm] 47 (1.85")	Y [mm] -	Z [mm] -	INDEX TRAUB products ABC65 • TNK42/65 • TNL18 • TNL20 • TNL32-11 • TNL32 • TNL32-11 compact • TNL20-11 • TNL32 compact • TNK40.2-10 • TNL20.2 • TNK40.2

**Tool holder accessories**

---

[Prolungamento mandrino, L = 100 mm](#)

Product ID : 10346684

Previous product ID : W9990559

TH accessories  
category  
Cooling lubricant tube

Mounting  
M6

**Other accessories**

[Bussola 10 D x 6 D x 12,5](#)

Product ID : 10670360

Previous product ID : W67530.0824

---

[Vite ad incavo M14x1](#)

Product ID : 10105238

Previous product ID : W67530.0818

---

[Ugello Palla](#)

Product ID : 11031912

Previous product ID : W67500.3208

---