

## Presetting device SK50/INDEX CAPTO C3

### Technical data

TH accessories category

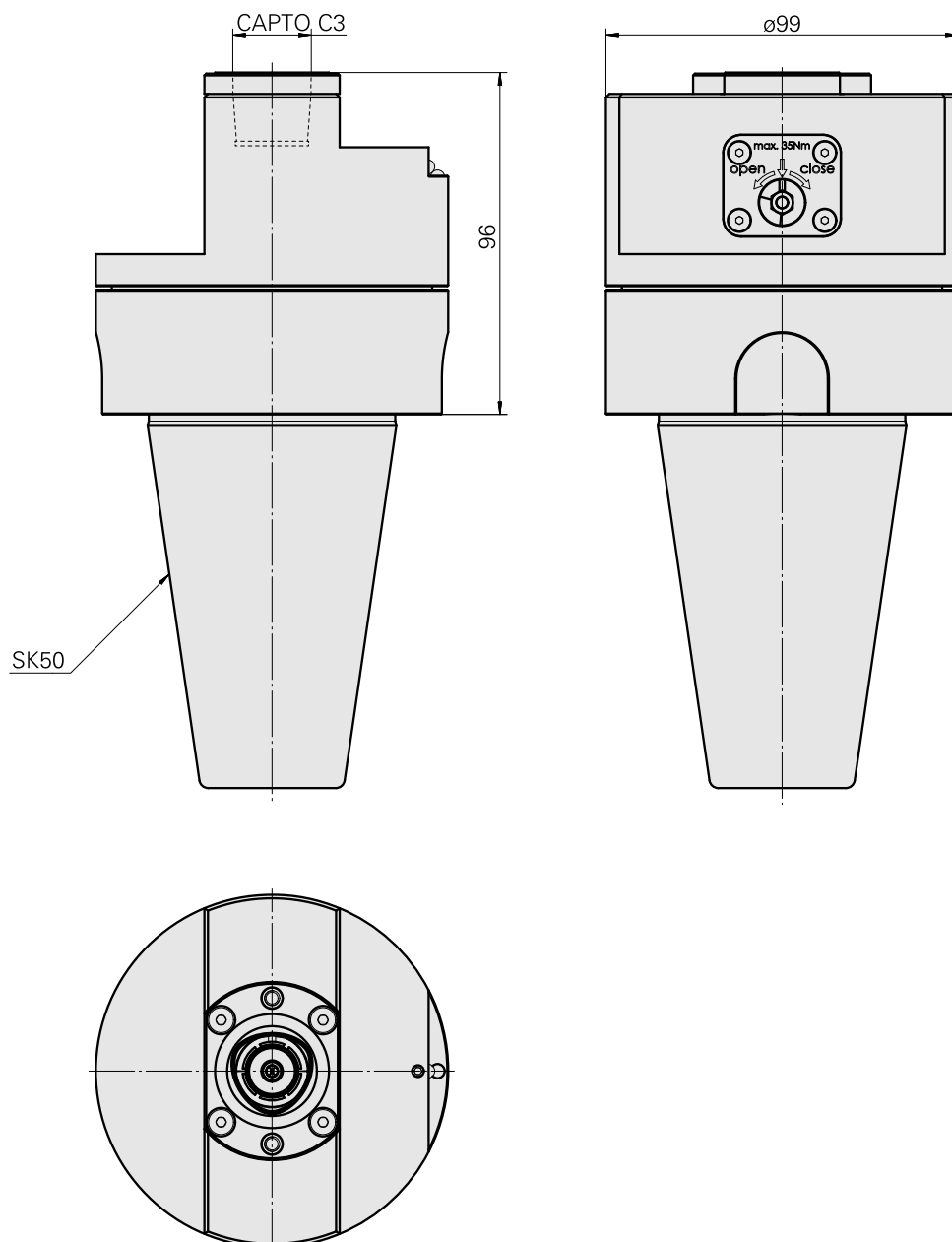
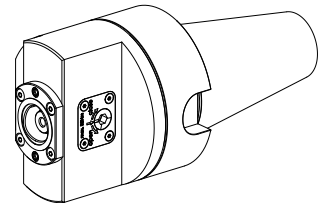
Adapter for presetting units

Mounting

SK50

Tool mounting

CAPTO C3



10804854  
W9990955

**INDEX**

---

## **Documents**

No downloads available for this product