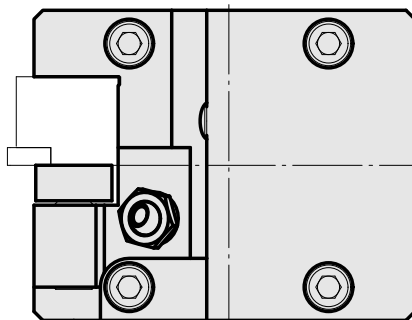
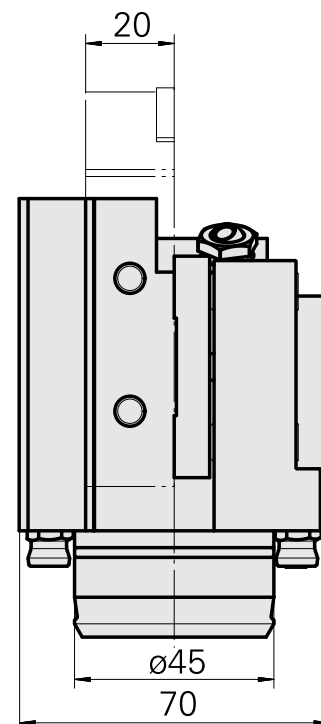
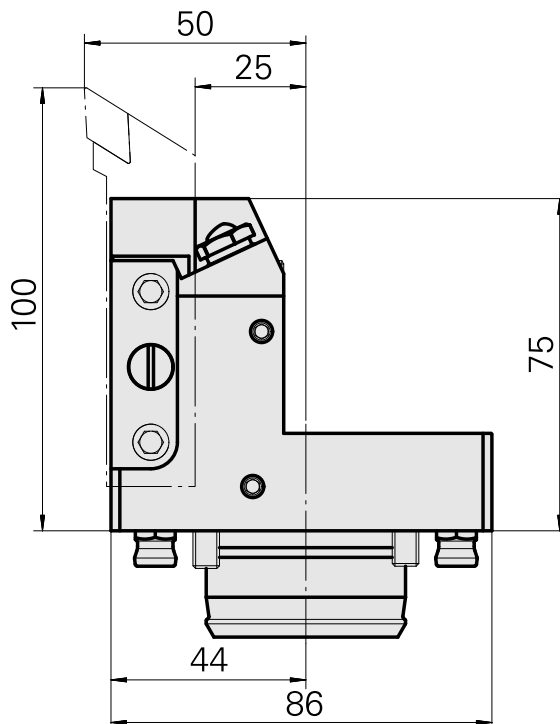
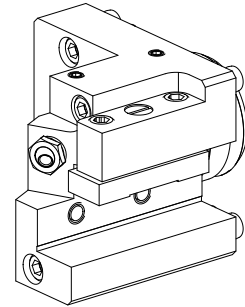


Drehhalter KPS 45 Vierkant 20x20

Technical data

Schaft KPS	KPS 45
Antrieb	nicht angetrieben
Kühlung	außen
Aufnahme	Vierkant 20x20
Druck	80 bar
X [mm]	75
Y [mm]	-
Z [mm]	25
Produkte INDEX TRAUB	ABC65 • TNK42/65 • TNL32 • TNL32-11



Documents

No downloads available for this product

Accessories

Optional accessories

Tool holder accessories

[Tube, L=100 mm \(3.93"\)](#)

Product ID : 10303677

Previous product ID : W9990910

TH accessories
category
Cooling lubricant tube

Mounting
M5

Other accessories

[Buchse 4x8x12](#)

Product ID : 10831938

Previous product ID : W02010.0002

[Hohlschraube M12x1](#)

Product ID : 10757766

Previous product ID : W02013.0001

[Kugelspritzdüse D8xM5 D8xM5](#)

Product ID : 10392450

Previous product ID : W02019.0002
