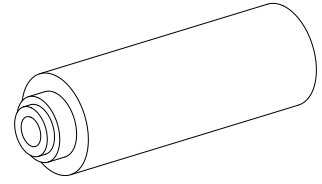

Center holder D15.4/Cone 1:7.5, elastic, live

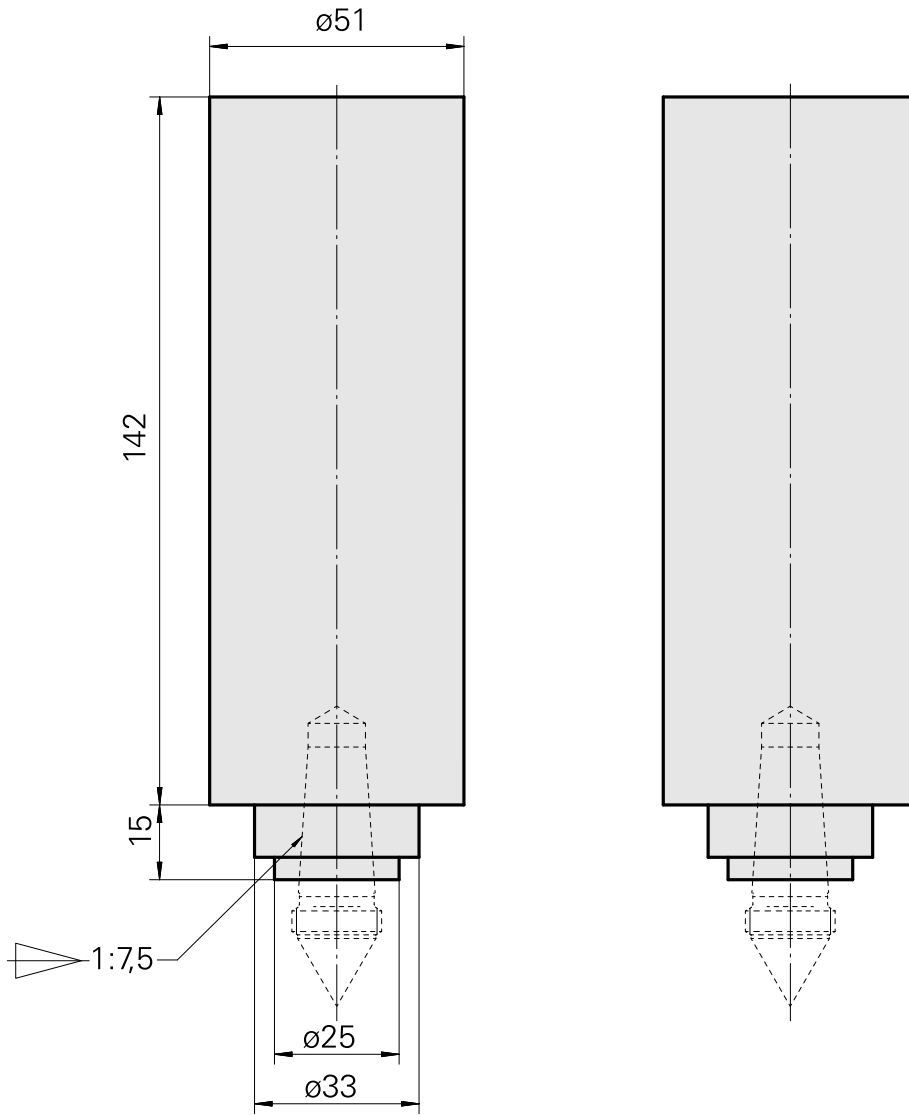
Technical data

Drive	not live
Fixation MS	Clamping ring D51
Mounting	D15.4/Cone 1:7.5
X [mm]	–
Y [mm]	–
Z [mm]	–
INDEX TRAUB products	MS32C • MS52C • MS32-6.2 • MS40-6 • MS40-8 • MS52-6.3 • MS32-6.3



Note

Spring travel 4.5 mm, Yellow ring 0 - 1600 N, Green ring 1600 - 2100 N, Red ring 2100 - 3000 N



Documents

No downloads available for this product

Accessories

Optional accessories

Other accessories

[Center Kegel 1:7.5](#)

Product ID : 10606287

Previous product ID : W9636-.21--
