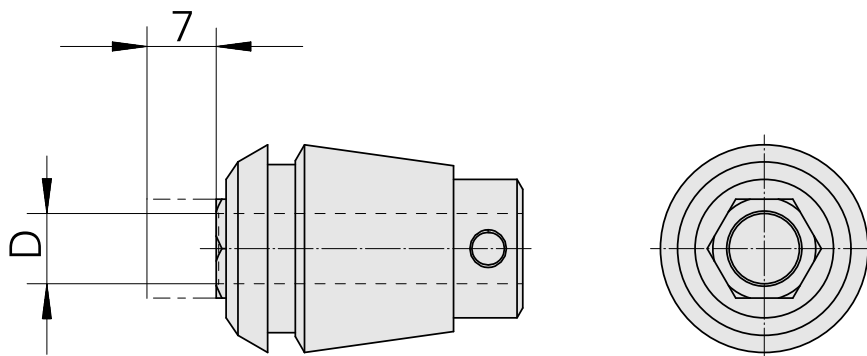


ER-Gewindebohrspannzange ET1-20 4mm

Technical data

TH accessories category	ER-Collet chuck for taps
Mounting	ER20
Tool mounting	4mm
Collet type	ET 1-20



10523812
323444

INDEX

Documents

No downloads available for this product