

## WFB 32-20 D20

### Technical data

TH accessories category

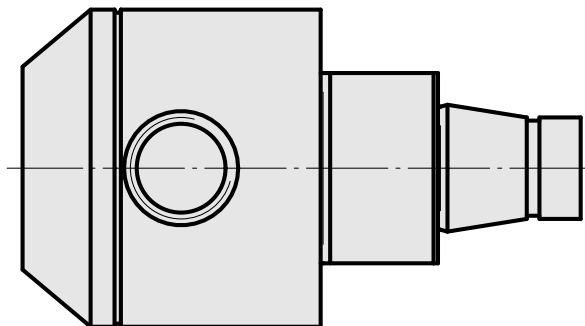
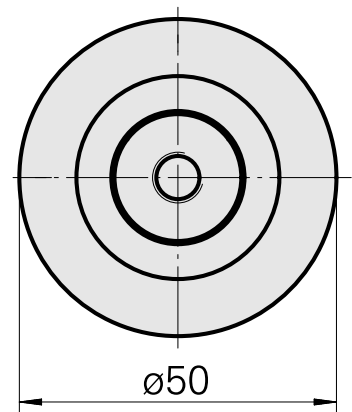
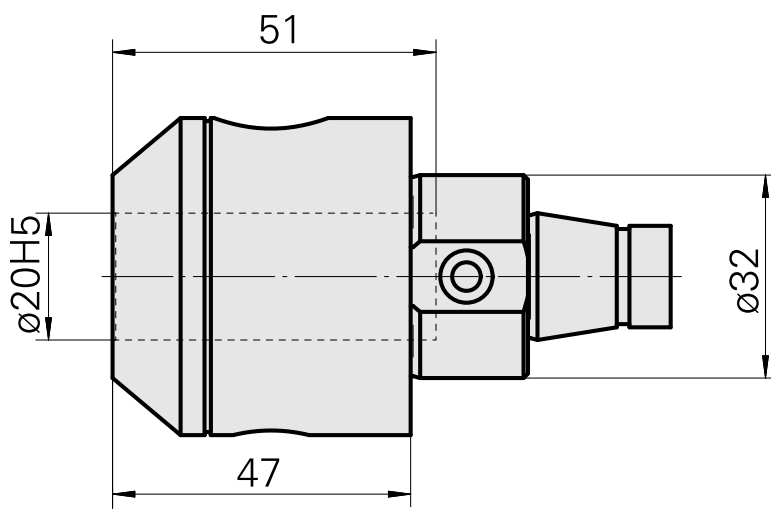
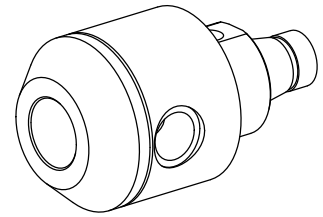
WFB 32-20

Mounting

D20

Quick change inserts

Weldon mounting



## Documents

No downloads available for this product

## Accessories

Optional accessories

### Other accessories

[Mounting sleeve with collar D20](#)

Product ID : 10063939

Previous product ID : W68510.04--

---