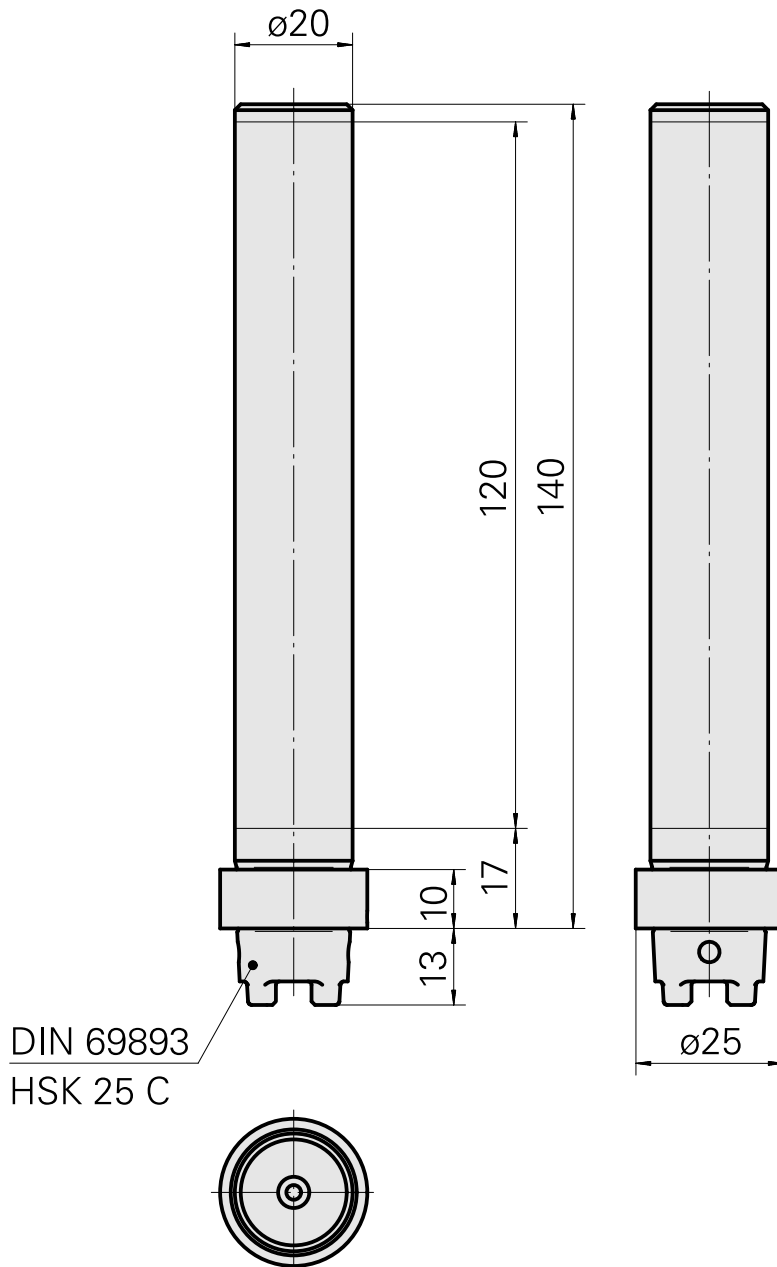
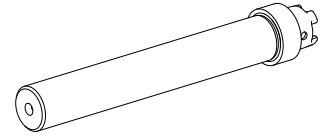


Calibrating tool HSK 25 C D20 (0.79 ")

Technical data

Shank HSK	HSK 25
Form HSK	C
Mounting	D20
X [mm]	140 (5.51")
INDEX TRAUB products	MS22-6 • MS22-8 • MS16-6



Documents

No downloads available for this product