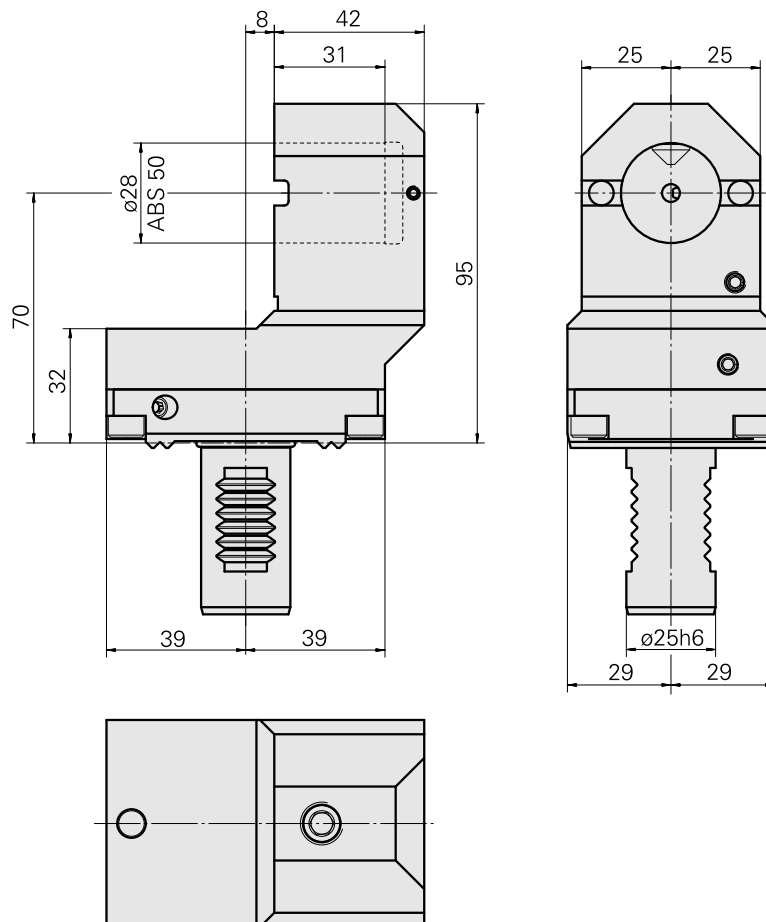


Compensation holder VDI 25 ABS 50

Technical data

Shank VDI	VDI 25
Drive	not live
Fixation VDI	W serration
Cooling	internal
Pressure	80 bar
Mounting	ABS 50
reversible 180°	yes
X [mm]	70 (2.76")
Y [mm]	—
Z [mm]	-8 (-0.31)
INDEX TRAUB products	C42/65 • G160 • ABC • C100 • C200 • G200 • G200.2 • G220 • ABC.2 • G220.3 • TNX220.3 • TNX200.3 • G200.3 • TNX160.2



Documents

No downloads available for this product

Accessories

Optional accessories

Other accessories

[Sealing kit](#)

Product ID : 12181692
Previous product ID :

[PLUG 10,5 D MIT O-RING 479105.0801](#)

Product ID : 10823291
Previous product ID : W67221.4198
