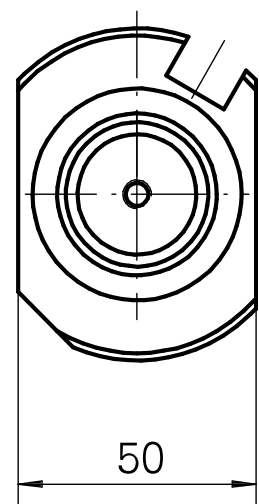
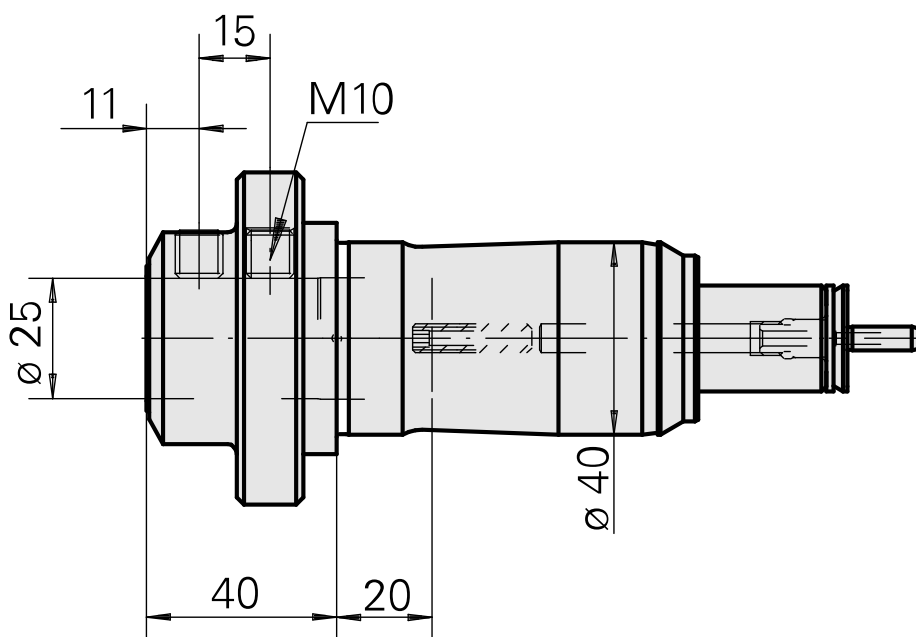
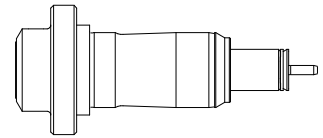


## Drilling tool holder Shank 40 D25 (0.98)

### Technical data

|                             |               |
|-----------------------------|---------------|
| <b>Shank TNL</b>            | Shank 40      |
| <b>Drive</b>                | not live      |
| <b>Cooling</b>              | internal      |
| <b>Pressure</b>             | 120 bar       |
| <b>Mounting</b>             | D25           |
| <b>INDEX TRAUB products</b> | TNK36 • TNL26 |



10334219  
835045

**INDEX**

---

## **Documents**

No downloads available for this product