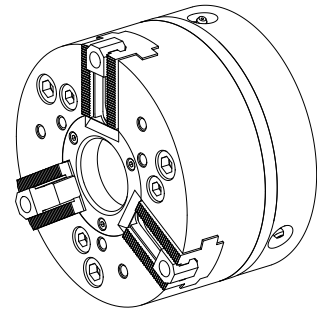


3-jaw chuck

Technical data

INDEX TRAUB products	G200
Spindle clearance	46mm
Machining side	Main spindle • Counter spindle
manufacturer product line	HFK-N 165-46
Spindle mounting	AP140
manufacturer product line	SMW



No 3-side view is currently available for this product

Documents

No downloads available for this product

Accessories

Optional accessories

O-Rings

[Gasket ring](#)

Product ID : 10598377

Previous product ID : 479103.0642

manufacturer product line Trelleborg	TSS material no.	Cord size 2.62 Millimeter	manufacturer product line O-ring
--	------------------	------------------------------	--

Other accessories

[Adaptor](#)

Product ID : 10823860

Previous product ID : 908128.8031

[O-RING 71.12X 2.62](#)

Product ID : 10954290

Previous product ID : 479103.0712
