

## Base element

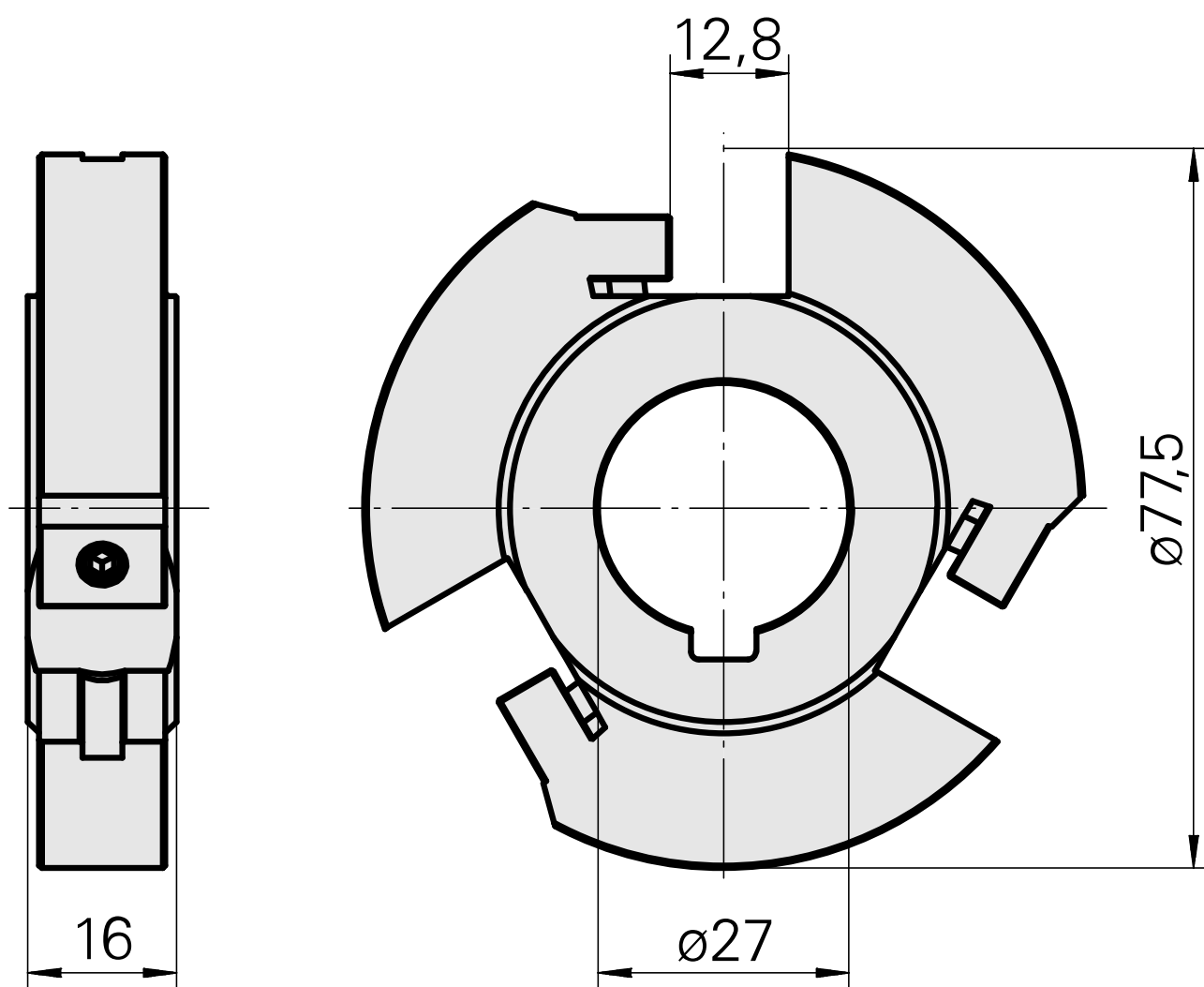
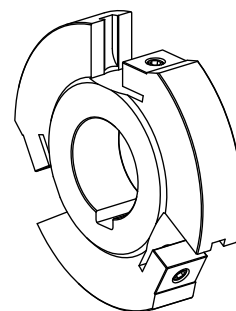
### Technical data

TH accessories category

Mounting

Base body, 3-fluted

Milling shaft D27



---

## Documents

No downloads available for this product

## Accessories

Optional accessories

### Other accessories

#### Cassette

Product ID : 10305934

Previous product ID : W9990295

TH accessories  
category  
Cassette, left

Mounting  
for DC.. 11T3..

#### Cassette

Product ID : 10654226

Previous product ID : W9990294

TH accessories  
category  
Cassette, right

Mounting  
for DC.. 11T3..