

## Drilling tool holder KPS 45 ER25

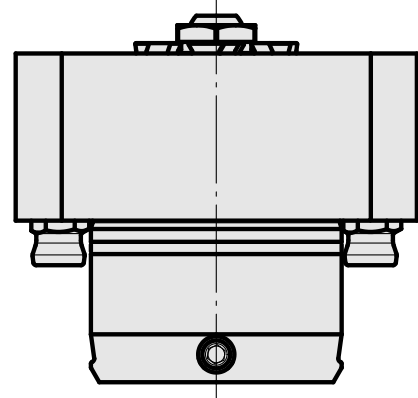
### Technical data

<b>Shank KPS</b>	KPS 45
<b>Drive</b>	not live
<b>Cooling</b>	external and internal
<b>Mounting</b>	ER25
<b>Pressure</b>	80 bar
<b>X [mm]</b>	30 (1.18")
<b>Y [mm]</b>	–
<b>Z [mm]</b>	–
<b>INDEX TRAUB products</b>	TNL18



### Note

Specially for TRAUB TNL machines having a turret with a B axis!



## Documents

No downloads available for this product

## Accessories

Required for operation

### [Spanner](#)

Product ID : 10179444

Previous product ID : 490219.3251

TH accessories category Tool	Mounting ER25	Collet type ER 25	Clamping nut type Male thread
Tools for Collet chucks Clamping nut wrench			

## Optional accessories

### Tool holder accessories

### [Clamping nut](#)

Product ID : 10630063

Previous product ID : 901939.5251

TH accessories category Clamping nut	Mounting ER25	Collet type ER 25	Clamping nut type Male thread
---	------------------	----------------------	----------------------------------

### [Coolant tube, L=100 mm \(3.93"\)](#)

Product ID : 10346684

Previous product ID : W9990559

TH accessories category Cooling lubricant tube	Mounting M6
---	----------------

### Other accessories

---

[Clamping collet](#)

Product ID : 10206464  
Previous product ID : 901930.3---

---

[tapping tool collet ET-1-25](#)

Product ID : 10191234  
Previous product ID : 3224--

---

[Collet chuck](#)

Product ID : 10029756  
Previous product ID : W999067-

---

[tapping tool collet](#)

Product ID : 10256515  
Previous product ID : WZ9990.9507F

---

[Clamping collet, sealed](#)

Product ID : 10698406  
Previous product ID : W999085-

---

[BUSHING 10 D x 6 D x 12,5](#)

Product ID : 10670360  
Previous product ID : W67530.0824

---

[Sealing washer](#)

Product ID : 10736854  
Previous product ID : W99904--

---

[Coolant Nozzle](#)

Product ID : 11031912  
Previous product ID : W67500.3208

---

10223454  
W7040051

**INDEX**

---

[HOLLOW SCREW M14x1 M14x1](#)

Product ID : 10105238

Previous product ID : W67530.0818

---

[Nozzle M6 mit D1,6](#)

Product ID : 10147428

Previous product ID : W00019.0216

---