

WFB 20-12 Shrink-fit mounting D10, 2-piece type

Technical data

TH accessories category

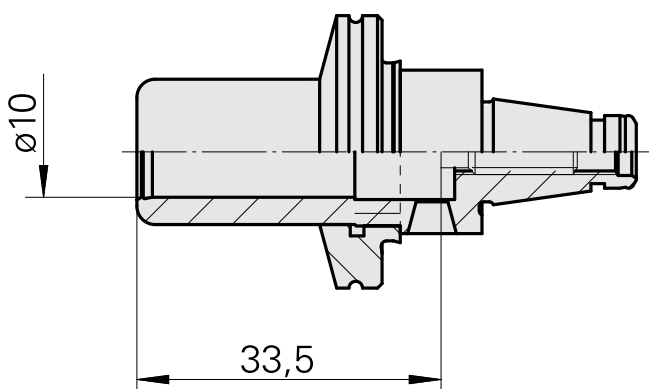
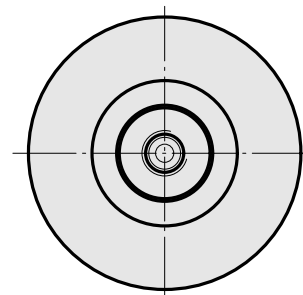
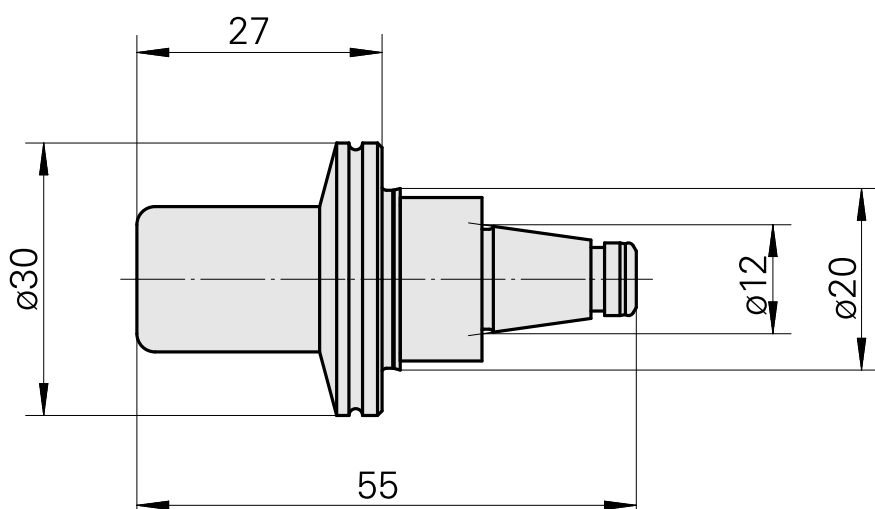
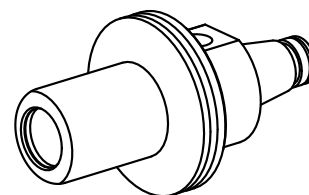
WFB 20-12

Mounting

Shrink-fit mounting D10

Quick change inserts

shrink-fit mounting



Documents

No downloads available for this product

Accessories

Optional accessories

Other accessories

[Adjusting screw M 5x10](#)

Product ID : 10674886

Previous product ID : 326793
