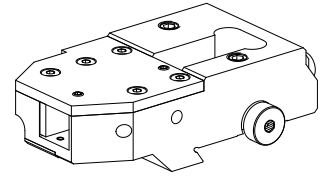


Grooving tool and stop holder MS32/MS40

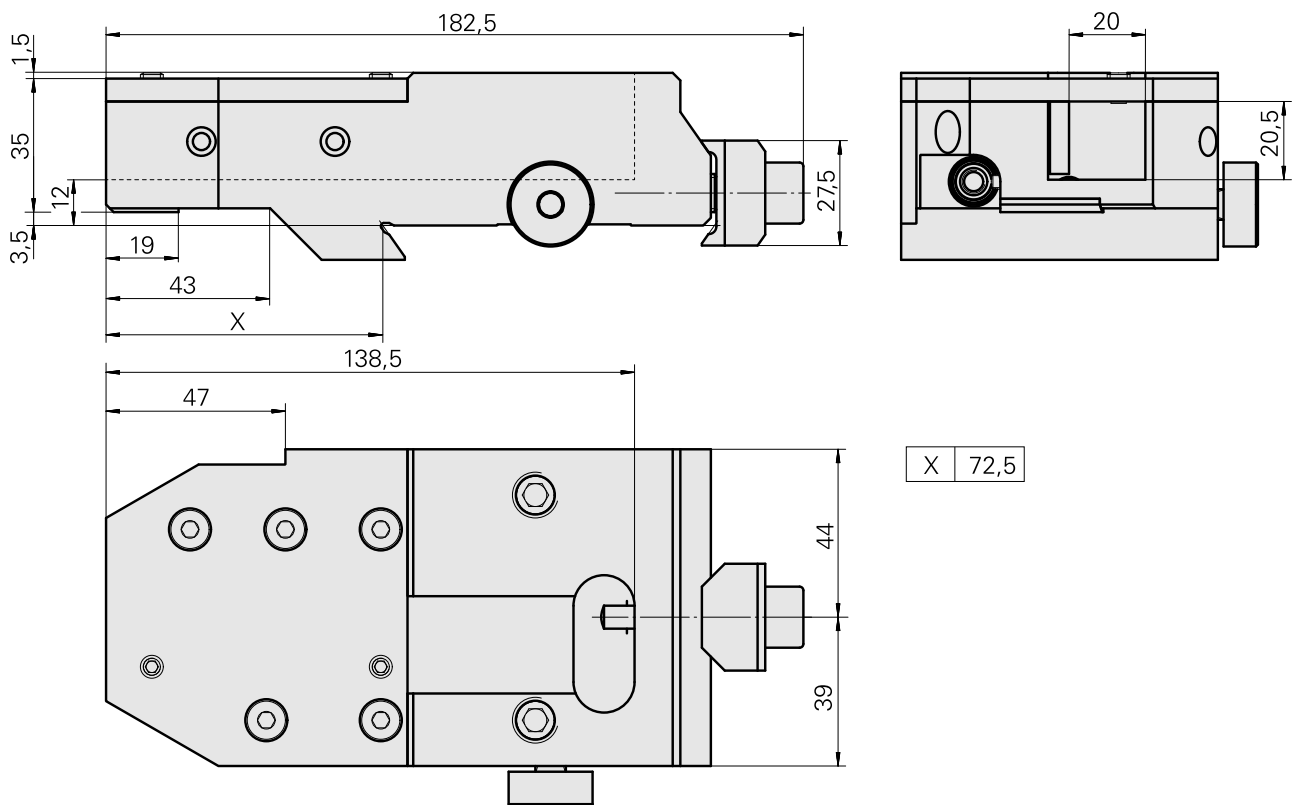
Technical data

Slide system MS	MS32/MS40
Drive	not live
Fixation MS	Dovetail
Cooling	external
Pressure	20 bar
Direction	left-handed run
Mounting	Square 20x20
X [mm]	72.5 (2.85")
Y [mm]	–
Z [mm]	12 (0.47)
INDEX TRAUB products	MS32C • MS32-6.2 • MS40-6 • MS32-6.3



Note

Cannot be used on cross slides with W-serration.



Documents

No downloads available for this product

Accessories

Optional accessories

Tool holder accessories

[Angle, Height 4 mm, Width 4 mm](#)

Product ID : 10328835

Previous product ID : WK1110.16

TH accessories
category
Compensation bracket

Mounting
Square 20x20

Other accessories

[BALL SPRAY NOZZLE 12D/M6](#)

Product ID : 10602750

Previous product ID : 474550.0101

[Cover](#)

Product ID : 10225995

Previous product ID : W95061.5254

[Countersunk screw M 4x 8/T20 verzinkt 402314 8](#)

Product ID : 10586100

Previous product ID : 410362.0408
