

Clamping nut

Technical data

TH accessories category

Clamping nut

Mounting

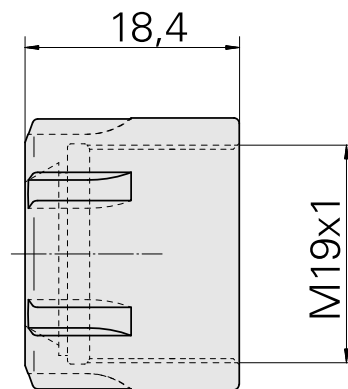
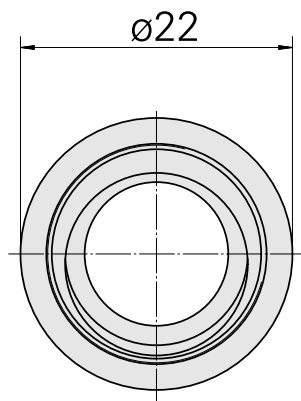
ER16

Collet type

ER 16

Clamping nut type

Female thread diameter reduced



10178506
901939.6161

INDEX

Documents

No downloads available for this product