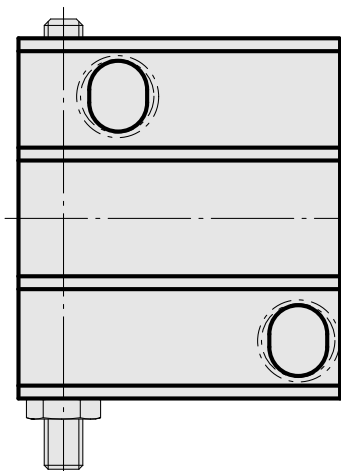
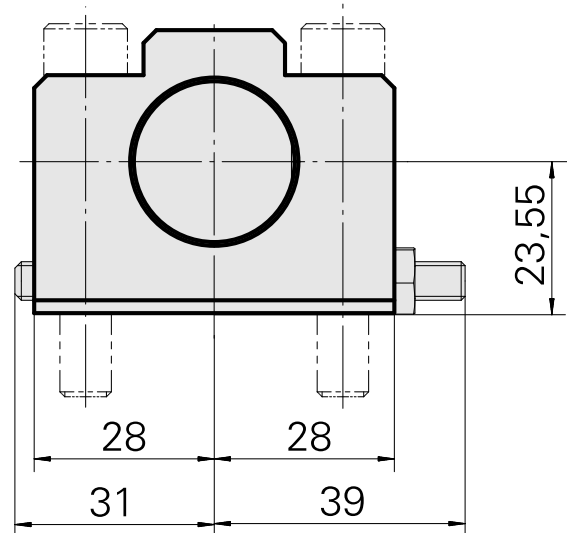
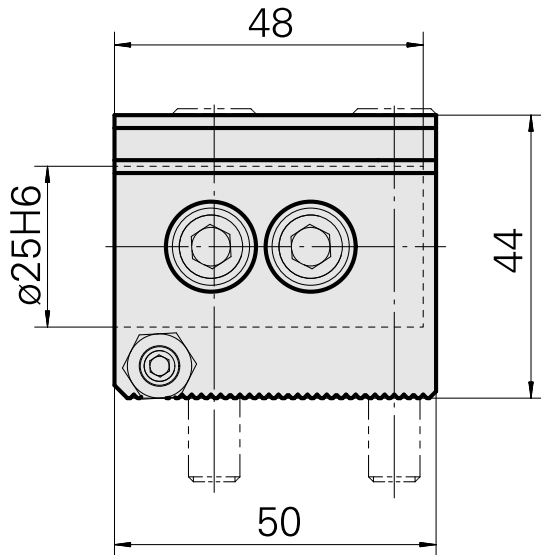
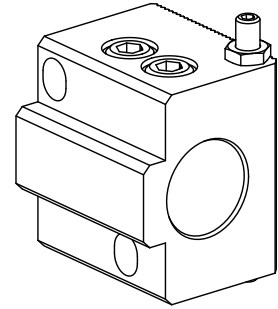


## Drill holding block D25 (0.98 ")

### Technical data

Drive	not live
Cooling	internal
Pressure	20 bar
Mounting	D25
X [mm]	23.55 (0.93")
Y [mm]	-
Z [mm]	-
INDEX TRAUB products	ABC • ABC.2



## **Documents**

No downloads available for this product

## **Accessories**

Optional accessories

**Other accessories**

[Clamping sleeve D25](#)

Product ID : 10877092

Previous product ID : 993125.----

---