

## Clamping nut

### Technical data

TH accessories category

Clamping nut

Mounting

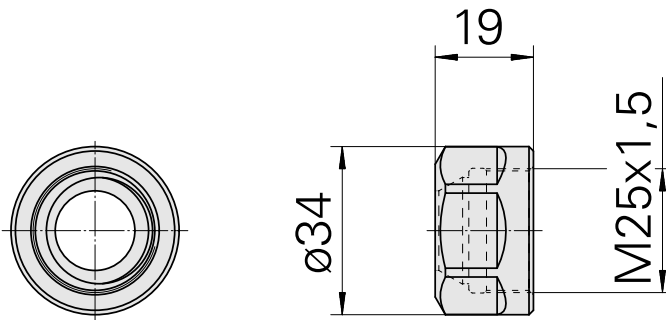
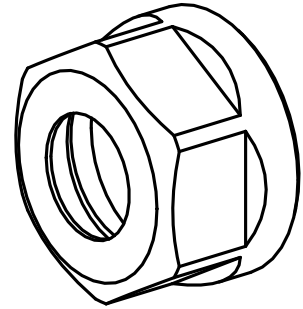
ER20

Collet type

ER 20

Clamping nut type

Female thread



## **Documents**

No downloads available for this product