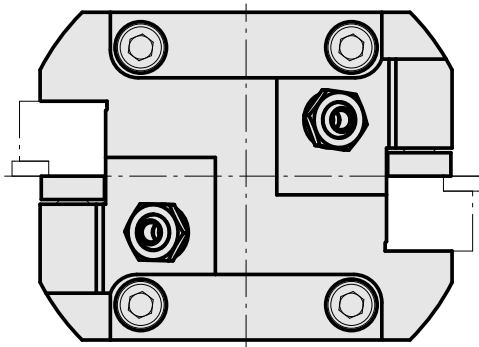
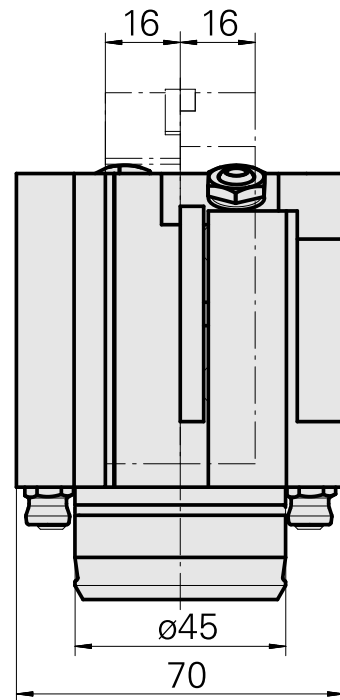
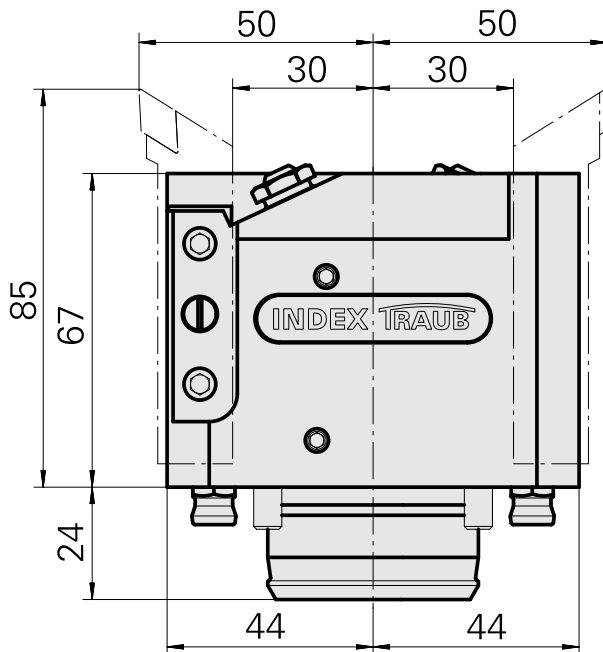
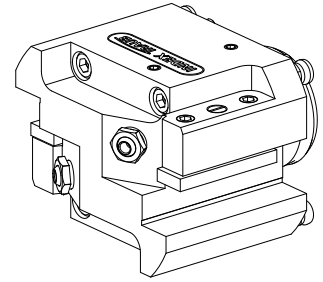


## Turning tool holder KPS 45 square 16x16, double

### Technical data

Shank KPS	KPS 45
Drive	not live
Cooling	external
Mounting	Square 16x16
Pressure	80 bar
X [mm]	67 (2.64")
Y [mm]	-
Z [mm]	30 (1.18)
INDEX TRAUB products	TNL32-11 • TNL32



---

## Documents

No downloads available for this product

## Accessories

### Optional accessories

#### Tool holder accessories

#### [Tube, L=100 mm \(3.93"\)](#)

Product ID : 10303677

Previous product ID : W9990910

TH accessories  
category  
Cooling lubricant tube

Mounting  
M5

#### Other accessories

#### [Hollow screw M12x1](#)

Product ID : 10757766

Previous product ID : W02013.0001

---

#### [Ball nozzle D8xM5](#)

Product ID : 10392450

Previous product ID : W02019.0002

---

#### [Bush 4x8x12](#)

Product ID : 10831938

Previous product ID : W02010.0002

---