

Adapter mounting aid VDI 30

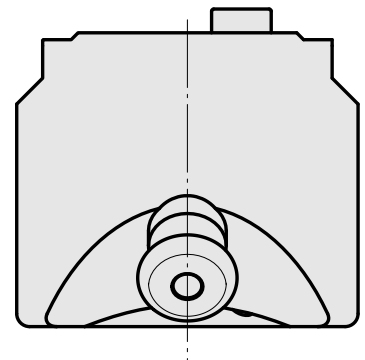
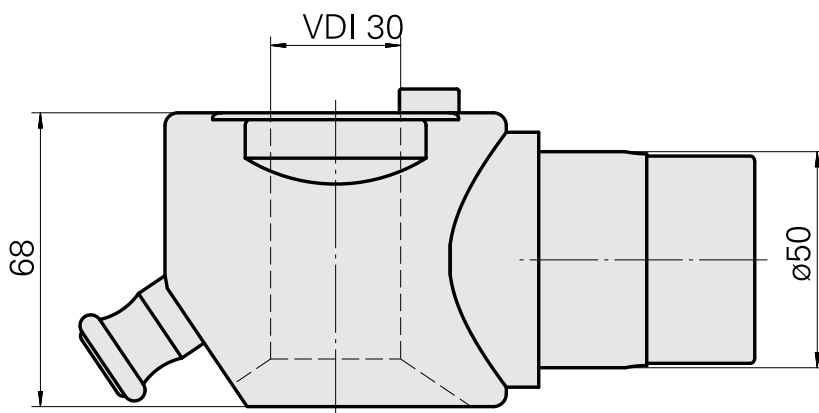
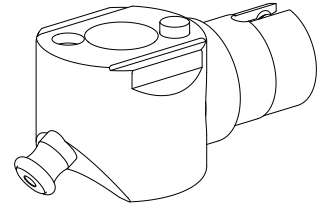
Technical data

TH accessories category

Adapter mounting aid

Tool mounting

VDI 30



Documents

No downloads available for this product