

## WFB 20-12 Shrink-fit mounting D6

### Technical data

TH accessories category

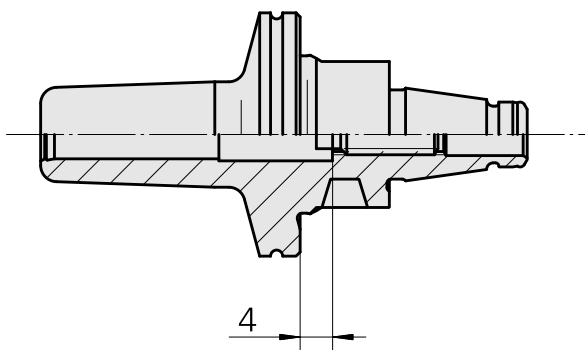
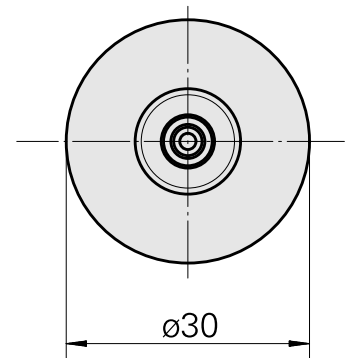
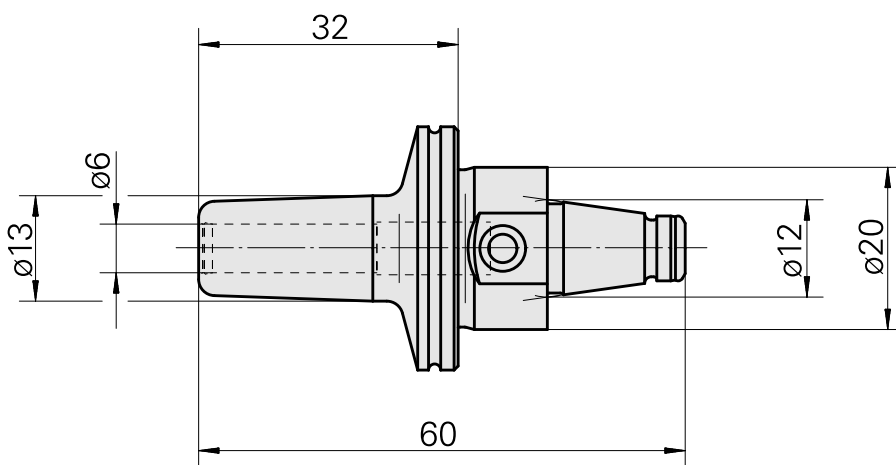
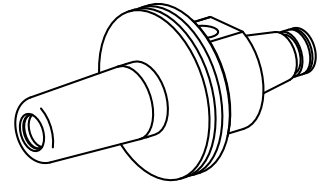
WFB 20-12

Mounting

Shrink-fit mounting D6

Quick change inserts

shrink-fit mounting



## **Documents**

No downloads available for this product

## **Accessories**

Optional accessories

### **Other accessories**

[Adjusting screw M 5x15](#)

Product ID : 10491071

Previous product ID : 326794

---