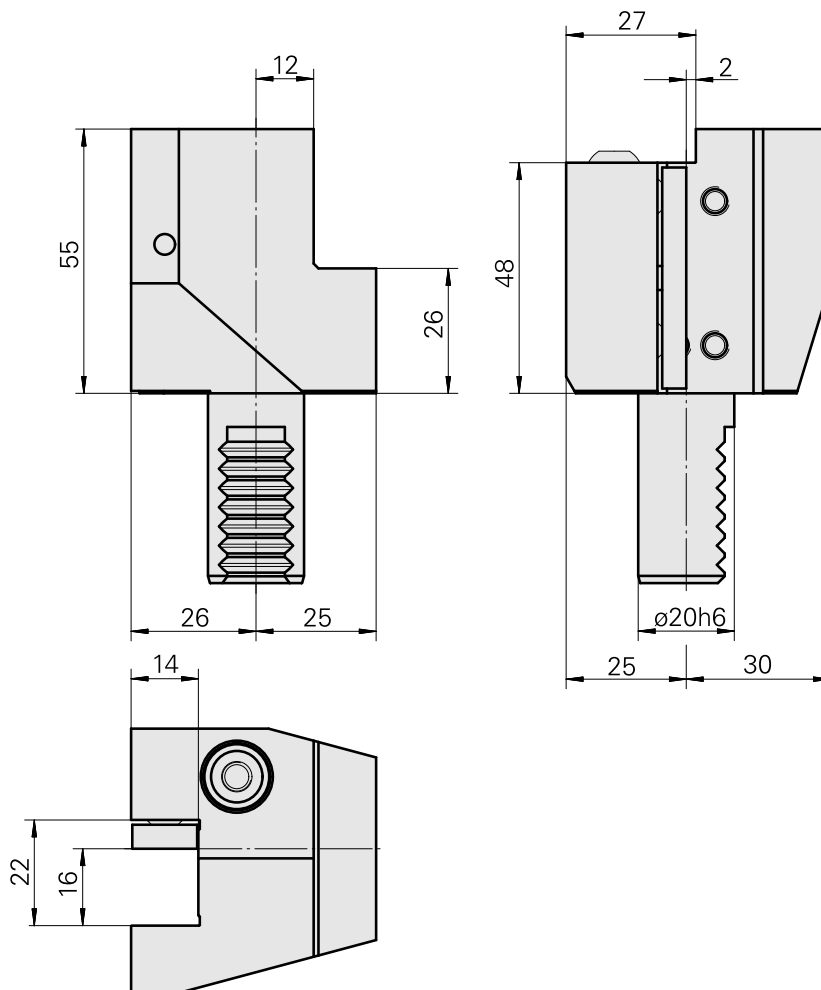


Turning tool holder VDI 20 square 16x16, Form C3

Technical data

Shank VDI	VDI 20
Drive	not live
Fixation VDI	none
Cooling	external
Pressure	20 bar
Mounting	Square 16x16
reversible 180°	no
X [mm]	55 (2.17")
Y [mm]	-
Z [mm]	26 (1.02)
INDEX TRAUB products	C100



Documents

No downloads available for this product

Accessories

Optional accessories

Other accessories

[SPRAY NOZZLE 14D/M6](#)

Product ID : 10358770

Previous product ID : 474550.0121
