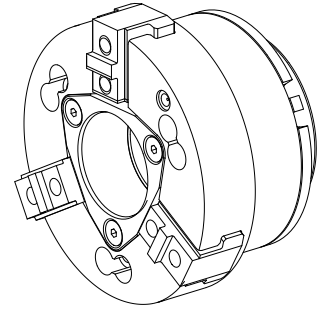

3-Backenfutter KFD-HS110 3B H2,3

Technical data

INDEX TRAUB products	MS40-6 • MS40P • MS40-8
Spindle clearance	40mm
Machining side	Main spindle
Spindle mounting	AP72



No 3-side view is currently available for this product

Documents

No downloads available for this product

Accessories

Optional accessories

Other accessories

[Mounting jaws für 908127.3121](#)

Product ID : 10182907

Previous product ID : 498121.0471

[Socket head screw](#)

Product ID : 10981842

Previous product ID : 410260.0660

[Socket head screw](#)

Product ID : 10997130

Previous product ID : 410260.0820

[SOCKET HD.SCREW 8X20](#)

Product ID : 10852917

Previous product ID : 410270.0820

[Boring fixture für 908127.3121](#)

Product ID : 10048156

Previous product ID : 908127.8091
